

Cemplank[®] Manufactured Lap Siding Housing (HUD Code only)



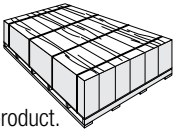
Tough Siding. Easy Choice.
Cemboard[®] fiber-cement siding

INSTALLATION REQUIREMENTS FOR PRIMED AND FACTORY BUILT COLOR TREATED PRODUCTS – EFFECTIVE OCTOBER 2015

IMPORTANT: FAILURE TO INSTALL AND FINISH THIS PRODUCT IN ACCORDANCE WITH APPLICABLE BUILDING CODES AND THE MANUFACTURER'S WRITTEN APPLICATION INSTRUCTIONS MAY LEAD TO PERSONAL INJURY, AFFECT SYSTEM PERFORMANCE, VIOLATE LOCAL BUILDING CODES, AND VOID THE PRODUCT ONLY WARRANTY.

STORAGE & HANDLING:

Store flat and keep dry and covered prior to installation. Installing siding wet or saturated may result in shrinkage at butt joints. Carry planks on edge. Protect edges and corners from breakage. The manufacturer is not responsible for damage caused by improper storage and handling of the product.



CUTTING INSTRUCTIONS

OUTDOORS

- Position cutting station so that wind will blow dust away from user and others in working area.
- Use one of the following methods:
 - Best: i. Score and snap ii. Shears (manual, electric or pneumatic)*
 - Better: Dust reducing circular saw

equipped with a HardieBlade[®] saw blade and vacuum dust extraction
c. Good: Circular saw with a HardieBlade saw blade (for low to moderate cutting volume)

* Shears and score/snap methods may not be suitable for products thicker than 1/2 in.

INDOORS

- NEVER cut with power saws indoors
 - Cut only using score and snap, or shears (manual, electric or pneumatic).
 - Position cutting station in well-ventilated area
- NEVER dry sweep – Use wet suppression or Vacuum

NIOSH-approved respirators can be used in conjunction with above cutting practices to further reduce dust exposures. Additional exposure information is available at www.jameshardie.com to help you determine the most appropriate cutting method for your job requirements. If concern still exists about exposure levels or you do not comply with the above practices, you should always consult a qualified industrial hygienist or contact the manufacturer for further information.

SD083105

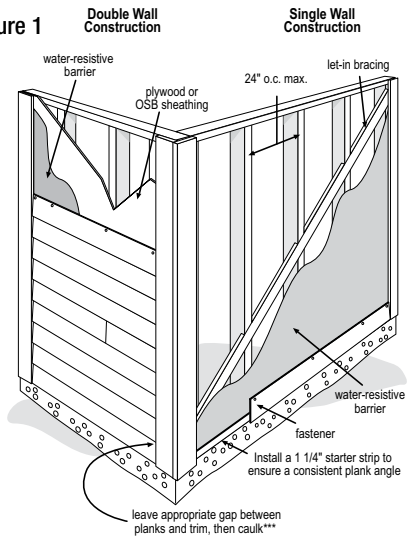
GENERAL REQUIREMENTS

- All Cemplank[®] lap siding applications require the use of a water resistant barrier. Type of barrier used is the choice and responsibility of the housing manufacturer.
- 9 1/2" or narrower in width, Cemplank requires a minimum 1 1/4" minimum overlap. (fig 2)
- Cemplank lap siding greater in width than 9 1/2" requires a 1 1/2" minimum overlap.
- Overlapping greater than minimum requirements is acceptable.
- Do not install Cemplank such that it may remain in contact with standing water.

Fastening Requirements

- Use 0.092 x 2" minimum corrosion resistant nails or 1 1/2" 11 ga. (0.120" diameter) corrosion resistant roofing nails.
- All Cemplank joints must meet over a stud except when using off-stud joint hardware. The length of each piece of Cemplank joined must be of sufficient length to allow for nailing into at least two studs on either side of the off-stud joint location.
- Blind nail method: place the fastener 1" from the top edge of the plank.
- Face nail method (required when plank is greater than 9 1/2" in width for wind zone II and III): place the fastener 5/8" from the bottom edge of the plank.
- Place 1 nail per stud.

Figure 1



16" STUD SPACING

WIND ZONE I	WIND ZONE II	WIND ZONE III
No sheathing requirements	Minimum 3/8" nail based OSB or plywood sheathing 0.113 thermal ply red sheathing* 1/4" fome-cor sheathing**	Minimum 3/8" nail based OSB or plywood sheathing 0.113 thermal ply red sheathing* 1/4" fome-cor sheathing** Studs must be doubled within the first three feet at corners on side and end walls

24" STUD SPACING

SHEATHING REQUIREMENTS
WIND ZONE I, II, and III
Minimum 7/16" nail based OSB or plywood

Figure 2

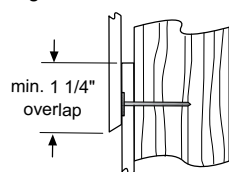


Figure 3

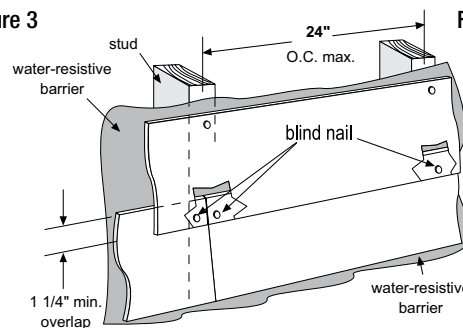
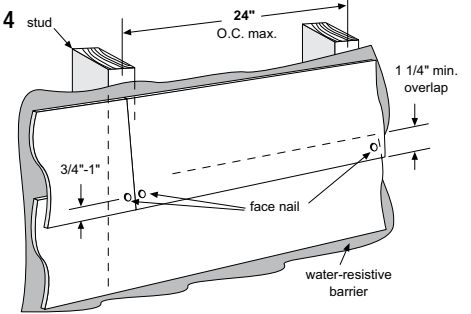


Figure 4



Laminate sheet to be removed immediately after installation of each course for Factory Built Color products
* Minimum 5/16" gypsum must be used on the interior side of the wall for non-corner zones
** Minimum 5/16" gypsum must be used on the interior side of the wall

DANGER: Do not breathe dust from this product. Respirable Crystalline Silica Dust causes damage to lungs and respiratory system through prolonged or repeated inhalation.

Fiber cement is not a health hazard when handled or stored in its original, unaltered condition. The hazard associated with fiber cement arises from crystalline silica present in the dust generated by activities such as cutting, rebating, drilling, routing, sawing, crushing, or otherwise abrading fiber cement, and when cleaning up, disposing of or moving the dust. When doing any of these activities in a manner that generates dust: (1) follow James Hardie instructions and best practices to reduce or limit the release of dust, (2) warn others in the area to avoid the dust, (3) when using mechanical saw or high speed cutting tools, work outdoors and use dust collection equipment, and (4) if no other dust controls are available, wear a NIOSH-approved dust mask or respirator (e.g., the N 95 dust mask).

Refer to the product Safety Data Sheet before use. Do not handle product until all safety precautions have been read and understood. Wash hands and face thoroughly after handling. If exposed to dust or concerned, get medical advice. If shortness of breath or other health concerns develop after exposure to dust from the product, seek medical attention. Dispose of product in accordance with local, state and national regulations. If there are no applicable regulations, dispose of in a secure landfill, or in a way that will not expose others to dust.

WARNING: This product contains a chemical known to the State of California to cause cancer. For more information go to www.P65Warnings.ca.gov/product.

For more information contact: James Hardie Building Products, Inc., 231 S. LaSalle St., Suite 2000, Chicago, IL 60604 USA 1-888 JHARDIE www.jameshardie.com www.jhsafesite.com

JOINT TREATMENT

- Cemplank lap siding horizontal joints are to be flashed or designed in such a way to prevent water from entering the interior portion of the wall. The method used is the choice and responsibility of the housing manufacturer.
- Caulk (primed product only): Use acrylic or latex based caulk meeting ASTM C-834 or C-920 standards. Caulk should indicate performance that is permanently elastic or flexible. Follow caulk manufacturer's requirements for application/use.
- Plastic/Metal joint connector: Spacing is determined by the design of the hardware.
- Cemplank lap siding is allowed to touch at butt joints without the use of joint sealants or hardware devices.

GENERAL FASTENING REQUIREMENTS

Fasteners must be corrosion resistant, galvanized, or stainless steel. Electro-galvanized are acceptable but may exhibit premature corrosion. The manufacturer recommends the use of quality, hot-dipped galvanized nails. The manufacturer is not responsible for the corrosion resistance of fasteners. Stainless steel fasteners are recommended when installing Cemboard® products near the ocean, large bodies of water, or in very humid climates.

PNEUMATIC FASTENING

Cemboard products can be hand nailed or fastened with a pneumatic tool. Pneumatic fastening is highly recommended. Set air pressure so that the fastener is driven snug with the surface of the siding. A flush mount attachment on the pneumatic tool is recommended. This will help control the depth the nail is driven. If setting the nail depth proves difficult, choose a setting that under drives the nail. (Drive under driven nails snug with a smooth faced hammer - Does not apply for installation to steel framing).

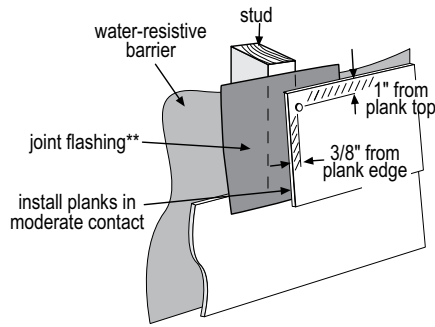
- Consult applicable code compliance report for correct fasteners type and placement to achieve specified design wind loads.
- NOTE: Published wind loads may not be applicable to all areas where Local Building Codes have specific jurisdiction. Consult the manufacturer's Technical Services if you are unsure of applicable compliance documentation.
- Drive fasteners perpendicular to siding and framing.
- Fastener heads should fit snug against siding (no air space). (fig. A)
- Do not over-drive nail heads or drive nails at an angle.
- If nail is countersunk, caulk nail hole and add a nail. (fig. B)
- For wood framing, under driven nails should be hit flush to the plank with a hammer (For steel framing, remove and replace nail).
- Do not use aluminum fasteners, staples, or clipped head nails.



CUT EDGE TREATMENT

Caulk, paint or prime all field cut edges.

Figure 5



JOINT TREATMENT
**** (Required for Factory Built Color Finish, recommended for primed products)**
 It is not recommended to use caulk at field butt joints.
Install factory finished edges together at butt joints

CAULKING

For best results use an Elastomeric Joint Sealant complying with ASTM C920 Grade NS, Class 25 or higher or a Latex Joint Sealant complying with ASTM C834. Caulking/Sealant must be applied in accordance with the caulking/sealant manufacturer's written instructions or ASTM C1193.

PAINTING

DO NOT use stain on Cemboard products. Cemboard products must be painted within 180 days for primed product and 90 days for unprimed. 100% acrylic topcoats are recommended. Do not paint when wet. For application rates refer to paint manufacturers specifications. Back-rolling is recommended if the siding is sprayed.

FACTORY BUILT COLOR TECHNOLOGY CAULKING, TOUCH-UP & LAMINATE

- Touch up nicks, scrapes and nail heads using the Factory Built Color technology touch-up applicator. Touch-up paint should be used sparingly. If large areas require touch-up, replace the damaged area with new Cemplank® lap siding with Factory Built Color technology.
- Laminate sheet must be removed immediately after installation of each course.
- Terminate non-factory cut edges into trim where possible, and caulk. Color matched caulks are available from your Factory Built Color product dealer.
- Treat all other non-factory cut edges using the Factory Built Color technology edge coat, available from your Factory Built Color product dealer.

PAINTING CEMBOARD® SIDING AND TRIM PRODUCTS WITH FACTORY BUILT COLOR TECHNOLOGY

When repainting Factory Built Color products, the manufacturer recommends the following regarding surface preparation and topcoat application:

- Ensure the surface is clean, dry, and free of any dust, dirt, or mildew
- Repriming is normally not necessary
- 100% acrylic topcoats are recommended
- DO NOT use stain or oil/alkyd base paints on Cemboard products
- Apply finish coat in accordance with paint manufacturers written instructions regarding coverage, application methods, and application temperature

RECOGNITION: In accordance with ICC-ES Legacy Report NER-405, Cemplank® lap siding is recognized as a suitable alternate to that specified in: the BOCA National Building Code/1999, the 1997 Standard Building Code, the 1997 Uniform Building Code, the 1998 International One-and Two-Family Dwelling Code, the 2003 International Building Code, and the 2003 International Residential Code for One-and Two-Family Dwellings. Cemplank® lap siding is also recognized for application in the following: City of Los Angeles Research Report No. 24862, State of Florida listing FL#889, Dade County, Florida NOA No. 02-0729.02, U.S. Dept. of HUD Materials Release 1263c, Texas Department of Insurance Product Evaluation EC-23, City of New York MEA 223-93-M, and California DSA PA-019. These documents should also be consulted for additional information concerning the suitability of this product for specific applications.